

AMBEX, INC.
1947 Drew Street in Clearwater, Florida 33765
Phone (727) 442-2727 / Fax (727) 449-1194

AMBEX 10 KILO COFFEE ROASTER INSTALLATION REQUIREMENTS

GAS:

- 1/2" gas line with 3/8" standard gas flare fitting
- Gas pressure not to exceed 1/2 PSI
- Burner is rated at 54,000 BTU

EXHAUST:

- 6" exhaust flue (**type of ducting to conform with local code requirements, manufacturer recommends positive pressure; or Nordfab QF galvanized steel ducting**)

Wall thickness of ducting should be 20-22 gage minimum thickness.

- Exhausts can be vented separately or connected via a "Y" type fitting into an 8" or larger duct

**DO NOT USE TYPE "B" VENT MATERIAL **DO NOT CONNECT EXHAUSTS VIA A "T" TYPE FITTING **DO NOT USE THIS MACHINERY TOGETHER WITH A VENTED HOOD

- Both exhausts contain internal fans
- Exhaust temp. ambient-350 degrees F, 340 cfm, cooler exhaust 180 cfm, less than 280 degrees F for less than 2 minutes
- Cooler exhaust contains fresh air only

ELECTRICAL:

- (1) dedicated 12A 110 VAC or 6A 230 VAC circuit
- Wall or floor mounted outlet as applicable

CLEARANCES:

- Install with minimum clearances as follows: these clearances are for ease of operation and are not required for safety

Rear - 24"

Right - 24"

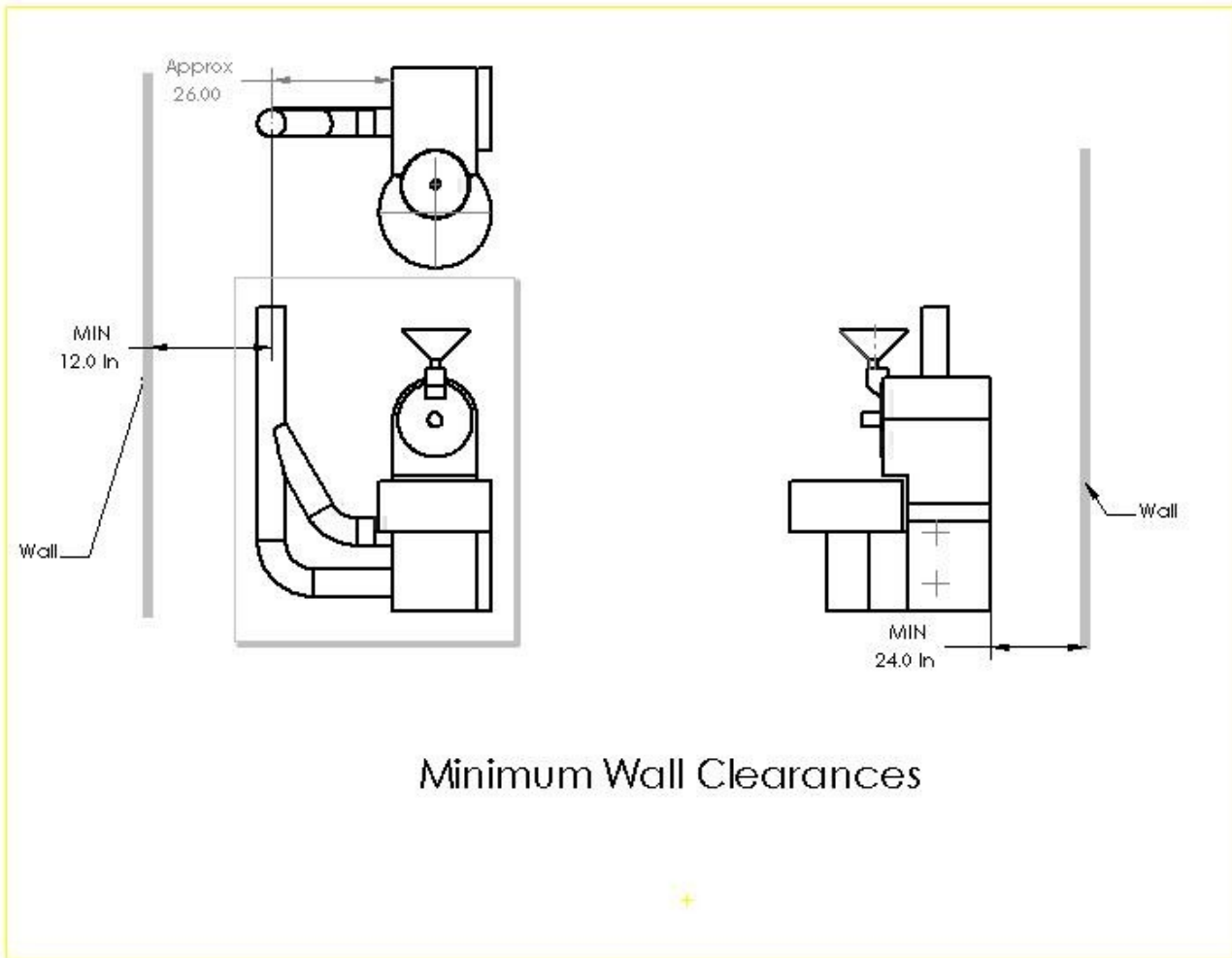
Left - 12" exhaust side, distance between wall and exhaust pipe

Front - 36"

Reference picture below...
Picture A: Clearances

AMBEX, INC.
1947 Drew Street in Clearwater, Florida 33765
Phone (727) 442-2727 / Fax (727) 449-1194

Picture B: Common Duct Layout



FLOORING:

- Floor must be able to handle the weight of the roaster (approx. 650 pounds), plus the weight of the operator and green coffee within an approximately 24 square foot area.
- It may be necessary to install sheet metal flashing, non-flammable tile, or fire bricks beneath roaster to conform with local fire and or building codes if flooring is hard wood or other flammable material.
- Ensure that roaster is level.

DIMENSIONS:

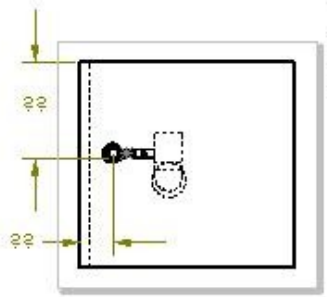
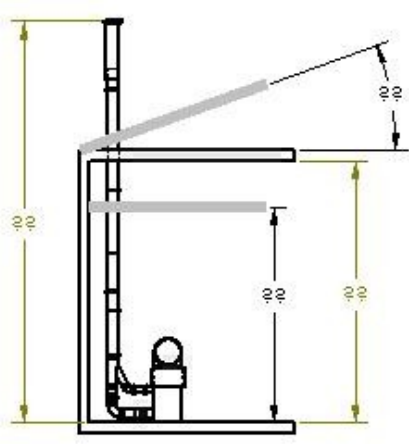
L- 51", W- 24", H-63"

AMBEX, INC.
 1947 Drew Street in Clearwater, Florida 33765
 Phone (727) 442-2727 / Fax (727) 449-1194

BY ENGINE				
JOB#	REV.	DESCRIPTION	DATE	APPROVED

This shows the basic dimensions needed to run the exhaust up and through the roof.

YM-2 roaster designs will require the measurement for the height of the surface the roaster will be placed upon.

<p>PROFESSIONAL AND COMPANY</p> <p>DESIGNED BY: [] DRAWN BY: [] CHECKED BY: [] APPROVED BY: []</p>	<p>DESCRIPTION</p> <p>YM-2 ROASTER</p>	<p>DATE</p> <p> </p>	<p>BY</p> <p> </p>
<p>APPICATION</p> <p> </p>	<p>DO NOT SCALE DRAWING</p>	<p>DATE</p> <p> </p>	<p>BY</p> <p> </p>

BY: D. J. []
 DATE: []

Roof duct layout